

INT SPRY ACTIVE WHEELCHAIR



Code: YKACTIVE

Aluminium Powder Coated Frame
Front Castors 5" solid
QR L/Weight Rear Spoke Wheel with PU tires
Adjustable COG
Detachable & Swing away armrest
Single Piece footplate height adjustable
Seat and Backrest Black Nylon
TAB back Upholstery
Integrated height adjustable push handle
Flip Down & angle adjustable Backrest
Undermount Brake system
OPTION: Anti-tipper
Sizes: 12", 14", 16", 17", 18", 20"
Seat Depth: 16" & 18" (seat width dependent)

Carton size: 68x62x60 CM
GW/NW: 13/12 KG

Medop cc

Medopark, 1 Manchester Road, Wadeville,
P.O. Box 51124, Raedene, 2124
enquiries@medop.co.za | www.medop.co.za
JHB Tel: 011 827 5893/4/5
CT Tel: 021 534 8628 | admin@medop.co.za

KUSCHALL K-SERIES ATTRACT


















FEATURES AND BENEFITS

- 1. CONFIGURABLE:** It is available in a wide range of seat sizes and seat heights. Combined with a wide range of options, accessories and colours, the K-Series can be tailored to suit your exact needs and personality.
- 2. ADJUSTABLE:** Adjustments come as standard, so finding your perfect position is guaranteed!
Possible Adjustments:
Front seat height Rear seat height
Centre of gravity Backrest height and angle
- 3. EASY TRANSPORT:** Quick and easy folding with the perfect open frame design ensures effortless car transfers. Keep independent and on the go!
- 4. MATRIX BACKRESTS AND CUSHIONS:** Our range offers additional posture positioning giving you the freedom to enjoy the benefits of life in an active wheelchair.

AN ATTRACTIVE WHEELCHAIR FOR EVERYONE.

TECHNICAL DATA

 Frame angle 75°/90° V-frame or tapered	 Seat width 320 – 500 mm in increments of 20 mm	 Seat depth 350 – 525 mm in increments of 25 mm	 Seat height front: 450 – 520 mm rear: 380 – 490 mm in increments of 10 mm
 Knee-to-heel length 290 – 480 mm in increments of 10 mm	 Backrest height 270 – 480 mm in increments of 15 mm	 Backrest angle 74°/78°/82°/86°/90°	 Max. safe slope 7°
 Reversing width 920 – 1230 mm	 Total width SW + 170 mm	 Centre of gravity 80 mm/95 mm/110mm/ 125 mm/140 mm	 Total length 75°: approx. 830 - 1055 mm 90°: approx. 760 - 985 mm
 Total weight unloaded approx. 7.8 kg	 Transport weight w/out rear wheels approx. 5.2 kg	 Max. user weight 130 kg	



Medop^{cc}

Medopark, 1 Manchester Road, Wadeville,
P.O. Box 51124, Raedene, 2124
enquiries@medop.co.za | www.medop.co.za
JHB Tel: 011 827 5893/4/5
CT Tel: 021 534 8628 | admin@medop.co.za

INVACARE ACTION 5 FOLDING



PRODUCT CODE: SJC0110

The Invacare Action5 has been designed for the more active user looking for an affordable chair with good drive performance and the ability to fold easily for handling, storage and transportation purposes. With its two patents and lightweight construction, the new Action5 gives the user a chair they can rely on. Key features include:

- Unique folding mechanism
- Stability of a rigid chair
- Quick step-less adjustability
- Highly configurable



TECHNICAL DATA

<i>Invacare Action⁵</i>	305 / 330 / 355 / 380 / 405 / 430 / 455 / 480 / 505 / 530 mm	350 / 375 / 400 / 425 / 450 / 475 / 500 mm	0 - 9°	Front 360-535 mm in steps of 25 mm Rear: 360-510 mm in steps 25 mm	Fixed 90° Or stepless 90° -15°/+15°	Fixed 300 / 325 / 350 / 400 / 425 / 450 / 475 / 500 mm Adjustable 360-400 and 410-490 mm	Fixed front 80° Swing away legrest 70° / 80° & 90° Elevating legrest and 0-80°
<i>Invacare Action⁵</i>	Swing away frame: 200-510 mm Fixed frame: 300-530 mm	186-227 mm 186-266 mm 205-280 mm	SW +160 mm To SW+ 250 mm	320 -380 mm	845 -1205 mm	670 -860 mm 701 -1108 mm	
<i>Invacare Action⁵</i>	7°	1050 -1380 mm	100 & 130 kg	From 12,3 kg	From 8,3 kg		

Medop^{cc}

Medopark, 1 Manchester Road, Wadeville,
P.O. Box 51124, Raedene, 2124
enquiries@medop.co.za | www.medop.co.za
JHB Tel: 011 827 5893/4/5
CT Tel: 021 534 8628 | admin@medop.co.za

INVACARE ACTION 5 RIGID

A very robust, lightweight wheelchair with an energy efficient frame design, providing excellent driving performance.

All-in-one solution

From just 10.8kg, the lightweight, **Action⁵ Rigid** is ideal for active individuals and first-time wheelchair clients with its quick and easy setup that can be finely adjusted to suit individual needs.

- ▶ Interchangeable parts
- ▶ Adjustability built-in to every chair
- ▶ Cross-compatibility spares and options
- ▶ Reduced complexity
- ▶ **Alber[®]** power add-on compatible



Technical data ▼

For more comprehensive pre-sales information about this product, including the product's user manual, please visit www.invacare.co.uk.

Seat width ▼	Seat depth ▼	Seat angle ▼	Seat height ▼	Backrest angle ▼	Backrest height ▼	Front frame angle ▼
305 / 330 / 355 / 380 / 405 / 430 / 455 / 480 / 505 / 530 mm	350 / 375 / 400 / 425 / 450 / 475 / 500 mm	0 - 9 °	360-535 mm in steps of 25 mm Rear seat height: 360-510 mm in steps of 25 mm	Fixed 90° Or stepless 90° -15°/+15°	Fixed 300 / 325 / 350 / 400 / 425 / 450 / 475 / 500 mm Adjustable 360-400 and 410-490 mm	Fixed front 80° Swing away legrest 70° / 80° & 90° Elevating legrest 0-80°
Length of footrest ▼	Armrest height ▼	Driving unit width¹ ▼	Total width, folded ▼	Total length inc. footrests¹ ▼	Total length without footrests ▼	Total height ▼
Swing away frame: 200-510 mm Fixed frame: 300-530 mm	150-265 mm 205-280 mm 250-375 mm	SW +180 mm to SW +250 mm	Action ⁵ : 320-380 mm Action ⁵ Rigid: 485-780 mm	845-1205 mm	670-860 mm	701-1108 mm
Max. Safe slope₂ ▼	Radius₃ ▼	Max. user weight ▼	Total weight ▼	Mass of the heaviest part ▼	Action⁵ foldable dimensions₄ ▼	
7°		100 & 130 kg	Action ⁵ : from 12.3 kg Action ⁵ Rigid: from 10.8 kg	Action ⁵ : 8.3 kg Action ⁵ Rigid: 6.8 kg	670-860 mm	

KUSCHALL COMPACT ATTRACT
















PRODUCT CODE: KUSCO

The küschall Compact attract meets the expectations of users who are looking for a reliable, cross- foldable active wheelchair, offering all the adjustability required for secure seating, maneuverability and easy driving.

A comfortable, practical and efficient wheelchair, the küschall Compact attract comes with swing-away removable leg rests and is fully optimized for transfers. Four matte colours make it an appealing wheelchair for everyone.



Technical data

 Seat width (SB): 360 - 500 mm in increments of 20 mm	 Seat depth (ST): 360 - 500 mm in increments of 20 mm	 Seat height (SHw, SHh): front: 430 - 520 mm rear: 400 - 490 mm in increments of 10 mm
 Knee-to-heel length (UL): 380 - 460 mm in increments of 10 mm	 Backrest height (RH): 330 - 495 mm in increments of 15 mm	 Backrest angle (RW): 82°/86°/90°/ 94°/98°/102°
 Max. safe slope: 7°	 Reversing width: 920 - 1125 mm	 Total length (GL): 70°: ca. 985 mm 90°: ca. 895 mm w/out legrest: 690 mm
 Total width: SB +180 mm	 Total width folded: ca. 300 mm	 Total weight, unloaded: ca. 11.3 kg
 Total weight w/out rear wheels: ca. 8.7 kg	 Max. user weight: 130 kg	 Crash Test approved Fulfills the requirements of ISO 7176-19



Medop^{cc}

Medopark, 1 Manchester Road, Wadeville,
P.O. Box 51124, Raedene, 2124
enquiries@medop.co.za | www.medop.co.za
JHB Tel: 011 827 5893/4/5
CT Tel: 021 534 8628 | admin@medop.co.za

INVACARE A4



Frog Legs® front suspension forks absorb initial impact slowing vibration before it gets to the user.



1. Undermount wheel locks
2. Fold-down back



LSS dual rear shocks absorb energy independently for added stability.

Adjustability for a Great Fit

It is critical for rigid chairs consumers to have a chair that can be adjusted to match their level of ability and support their active lifestyles. The A-4 Wheelchairs are a great fit for these demanding consumers. These chairs can be adjusted for maximum stability or fine tuned for peak performance – quickly and easily, today and in the future.

Model #	Overall Dimensions	Seat Dimensions	Seat-to-Floor Height	Back Angle	Front Frame Angle	Camber	Tubing Diameter
TA4	Seat Width + 6.75" -14.25"	12"-22" W 14"-22" D	17"-21" Front 14.5"- 20" Rear	85°, 90°, 95°, 100°, 105°	80°	0°, 3°, 6°, 9°, 12°	1"
	Knee-to-Heel Range	Center-of-Gravity	Wheels	Casters	Total Weight*	Weight Capacity	Limited Warranty
	11.25"-20.25" 1" Increments	Adjustable	22", 24", 25", 26"	3", 4", 5", 6"	14.5 lb.	300 lb.	5 Years Frame

* 15"x16" without rear wheels, folding back, adjustable tension upholstery and 4" casters.

Please see the Owner's Manual or Invacare Configurator for complete option/specification combinations.

All references to HCPCS codes: Providers are responsible for determining the appropriate billing codes when submitting claims to the Medicare program, and should consult an attorney or other advisor to discuss specific situations in further detail.

KUSCHALL ULTRA LIGHT

PRODUCT CODE: KUSUT












Options



These are only a few of the many options available for this model. Contact your nearest Kuschall specialist for more information.



Technical Data





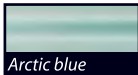


	Seat width: 28 – 50 cm (in increments of 2 cm)		Backrest angle: 82°/86°/90°/94°/98°/102°
	Seat depth: 32 – 50 cm (in increments of 2 cm)		Total width (with 3° camber): SW + 17 cm total width folded approx. 29 cm
	Seat height: front: 43 – 53 cm rear: 39 – 50 cm (in increments of 1 cm)		Total length: 70°: 88 cm 80°: 83 cm
	Backrest height: 30 – 51 cm (in increments of 1.5 cm)		Total weight unloaded: Approx. 9,9 kg
	Knee-to-heel length: 20 – 50 cm (in increments of 1 cm)		Max. user weight: 130 kg
			Transport weight w/out rear wheels, Approx. 7,5 kg

All measurements and weights indicated are based on seat width 40 cm and seat depth 40 cm in the lightest and most compact configuration possible. Weight and measurements can change with the different configurations.

Colours

CPS (Colour Power Set)

Medop cc

Medopark, 1 Manchester Road, Wadeville,
P.O. Box 51124, Raedene, 2124
enquiries@medop.co.za | www.medop.co.za
JHB Tel: 011 827 5893/4/5
CT Tel: 021 534 8628 | admin@medop.co.za

KUSCHALL K-SERIES

PRODUCT CODE: KUSK

It was, everything with the **K-Series** was incredibly easy, unique and light. With its broad selection of possible configurations, different materials and the wide range of colours to choose from, the **K-Series** brings a new dimension to everything you need.

And not only is it more versatile. It is a wheelchair that gets you on the move much more easily and efficiently and on an entirely new scale.



Kuschall wheelchairs are compatible with Matrix backs and cushions



A «no limits» range



Lightness and performance



Backrest adapter plate with lasered swooshes®



Front seat height adjustable



TECHNICAL DATA K-SERIES



Frame angle
75°/90°
V-frame or tapered



Knee-to-heel length
290 – 480 mm
in increments of 10 mm



Total width
SW + 170 mm



Total length
75°: approx. 830 mm
90°: approx. 760 mm



Seat height
front: 450 – 520 mm
rear: 380 – 490 mm
in increments of 10 mm



Reversing width
920 – 1230 mm



Max. user weight
130 kg



Crash Test approved
Fulfills the requirements of ISO 7176-19



Max. safe slope
7°



Transport weight w/out rear wheels
approx. 5.1 kg



Backrest height
270 – 480 mm
in increments of 15 mm



Total weight unloaded
approx. 7.8 kg



Seat depth
350 – 525 mm
in increments of 20 mm



Backrest angle
74°/78°/82°/86°/90°



Seat width
320 – 500 mm
in increments of 20 mm



Centre of gravity
80 mm/95 mm/110mm/
125 mm/140 mm

Medop^{cc}

Medopark, 1 Manchester Road, Wadeville,
P.O. Box 51124, Raedene, 2124
enquiries@medop.co.za | www.medop.co.za
JHB Tel: 011 827 5893/4/5
CT Tel: 021 534 8628 | admin@medop.co.za

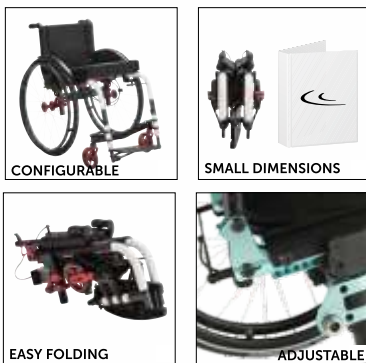
KUSCHALL CHAMPION SK

Sleek, smart styling meets compactness and practicality. The active rigid wheelchair that folds is now even smaller.

Having the benefit of an everyday wheelchair with such small folded dimensions makes light work of all aspects of travel. It's the perfect companion in your busy day to day commuting and essential for any holiday destination.
















Evolved from our highly popular Champion, the SK features a folding front frame, the result is a wheelchair that is lightweight, easy to handle and convenient to transport.

Exceptional driving performance, rigidity and quality are also key features, ensuring as well as being practical you can be sure it delivers the strength and durability needed for an active lifestyle.



THE MOST FOLDABLE - SMALL BUT SMART

TECHNICAL DATA

 Frame angle 75°/85° Aluminium folding front frame	 Seat width 360 – 460 mm in increments of 20 mm	 Seat depth 340 – 480 mm in increments of 20 mm	 Seat height front: 450 – 540 mm rear: 390 – 490 mm stepless adjustable
 Knee-to-heel length 380 – 500 mm stepless adjustable	 Backrest height 300 – 465 mm in increments of 15 mm	 Backrest angle 76°/80.5°/85°/89.5°/94°	 Max. safe slope 7°
 Reversing width 920 – 1230 mm	 Total width SW + 160 mm	 Total folded dimensions Rear 280mm Front 330mm Length 670mm Width 220mm	 Total length 75°: approx. 930 mm 85°: approx. 850 mm
 Total weight unloaded approx. 9.2 kg	 Transport weight w/out rear wheels approx. 6.7 kg	 Max. user weight 120 kg	

Medop^{cc}

Medopark, 1 Manchester Road, Wadeville,
P.O. Box 51124, Raedene, 2124
enquiries@medop.co.za | www.medop.co.za
JHB Tel: 011 827 5893/4/5
CT Tel: 021 534 8628 | admin@medop.co.za








ALBER E-FIX



Small, light, swift

The **e-fix** was designed to combine the benefits of a power and manual wheelchair for indoor and outdoor use. Any person using a manual wheelchair will draw benefits of this unique "two in one" mobility concept. The **e-fix** components can be dismantled within seconds. The small and handy components are easy to transport everywhere. The wheel integrated motors and overall discreet design make the **e-fix** an active lifestyle mobility device.

Technical data

							
e-fix E25	16 km standard 30 km optional	12 Ah standard 17 Ah optional	2 x 110 W	9 kg 13 kg	20%	26,1 kg (one wheel: 7,8 kg)	120 kg
e-fix E26	26 km standard 14 km optional	22 Ah standard 17 Ah optional	2 x 150 W	13 kg 9 kg	15%	32,1 kg (one wheel: 8,8 kg)	160 kg

ALBER E-MOTION



Power assist for wheelchairs

A manual wheelchair makes it possible to move around and promotes activity. For most wheelchair users it is often impossible to access all areas of everyday life - even with adequate physical strength. Slopes, kerbstones, thresholds regularly present insurmountable obstacles. The new **Alber e-motion** power assist allows wheelchair drivers to keep and even raise their level of active mobility, and provides a variety of therapeutic benefits.

Technical data

e-motion						
	max. 6 km/h	25 km (according to ISO 7176)	2 x 60 W	1 kg	22 kg (one wheel: 11 kg)	130 kg

Medop^{cc}

Medopark, 1 Manchester Road, Wadeville,
 P.O. Box 51124, Raedene, 2124
 enquiries@medop.co.za | www.medop.co.za
 JHB Tel: 011 827 5893/4/5
 CT Tel: 021 534 8628 | admin@medop.co.za

INVACARE MATRX LIBRA CUSHION



The next generation cushion - Superior comfort with a high level of protection and positioning

- Improved design combines foam and fluid to provide the highest level of skin protection, positioning and adjustability for unique user needs
- New dual layer fluid sac using Invacare's **Flo-tech™** technology for enhanced shear management and pressure redistribution
- Specially contoured to provide balance and stability to the pelvis, optimizing body function
- Lightweight and maintenance free, the **Libra** balances both functional needs with an active lifestyle
- Recommended for all users including those with specific individual seating needs

Features and options



Immersion

Maximises surface contact area in order to reduce peak pressures. Pressure = Force/Area.

Off-Loading

Transfers forces away from the ischial tuberosities with greater weight bearing on the trochanters, hips and thighs.

Envelopment

Fluid sac completely surrounds the bony prominences, even during position changes.

Pelvic Stability

Contouring of the pelvic well provides lateral trochanteric support and anterior/posterior pelvic stability, promoting spinal extension for improved upper extremity function, head control and physiological function.

Technical data



Matrx Libra

Weight: 1,6 kg



Max User Weight:
Std 136 kg
HD 227kg



Outer cover:
machine wash
80°



Inner liner:
surface clean
with damp cloth

Matrx Libra Customisation Kit



Medop^{cc}

Medopark, 1 Manchester Road, Wadeville,
P.O. Box 51124, Raedene, 2124
enquiries@medop.co.za | www.medop.co.za
JHB Tel: 011 827 5893/4/5
CT Tel: 021 534 8628 | admin@medop.co.za