



# Manual Wheelchair Active

B2000 Active Wheelchair  
Kuschall K-Series Attract  
Invacare Action 5  
Kuschall Compact Attract  
Invacare A4  
Kuschall Ultra Light  
Kuschall K-Series  
Kuschall Champion SK  
Alber E-fix  
Alber E-motion

# B2000 ACTIVE WHEELCHAIR



Off-road Rear Wheel option

## Specifications:

Overall length 31.49" (800mm)  
Limited Warranty

Overall width with zero degree camber  
14" = 550mm, 15" = 580mm,  
16" = 610mm, 17" = 630mm,  
18" = 660mm

Overall width with three degree camber  
14" = 600mm, 15" = 630mm,  
16" = 660mm, 17" = 680mm,  
18" = 710mm

Casters 5" PU tire  
Rear Wheels 24"x1-3/8 Q.R. Spoke  
Weight capacity 130 kgs (286 lbs)  
Overall weight  
13.50kgs w/wheels

## Features:

Rigid type alum. alloy frame  
Rear wheel unit QR type with alum.  
alloy made rim, hub, handrim, height  
positions adjustable COG  
Front fork and bearing house alum.  
alloy made, angle adjustable.  
Alum. alloy made push handle height  
adjustable  
Back upholstery tension adjustable  
Fold down & Back angle adjustable  
Nylon fiber Mud side panel adjustable  
to  
match rear wheel position  
Seat depth adjustable  
Footplate height & angle adjustable

# KUSCHALL K-SERIES ATTRACT



1.



2.



3.



4.


















## FEATURES AND BENEFITS

- 1. CONFIGURABLE:** It is available in a wide range of seat sizes and seat heights. Combined with a wide range of options, accessories and colours, the K-Series can be tailored to suit your exact needs and personality.
- 2. ADJUSTABLE:** Adjustments come as standard, so finding your perfect position is guaranteed!  
Possible Adjustments:  
Front seat height                      Rear seat height  
Centre of gravity                      Backrest height and angle
- 3. EASY TRANSPORT:** Quick and easy folding with the perfect open frame design ensures effortless car transfers. Keep independent and on the go!
- 4. MATRX BACKRESTS AND CUSHIONS:** Our range offers additional posture positioning giving you the freedom to enjoy the benefits of life in an active wheelchair.

AN ATTRACTIVE WHEELCHAIR FOR EVERYONE.

## TECHNICAL DATA

 <b>Frame angle</b> 75°/90° V-frame or tapered	 <b>Seat width</b> 320 – 500 mm in increments of 20 mm	 <b>Seat depth</b> 350 – 525 mm in increments of 25 mm	 <b>Seat height</b> front: 450 – 520 mm rear: 380 – 490 mm in increments of 10 mm
 <b>Knee-to-heel length</b> 290 – 480 mm in increments of 10 mm	 <b>Backrest height</b> 270 – 480 mm in increments of 15 mm	 <b>Backrest angle</b> 74°/78°/82°/86°/90°	 <b>Max. safe slope</b> 7°
 <b>Reversing width</b> 920 – 1230 mm	 <b>Total width</b> SW + 170 mm	 <b>Centre of gravity</b> 80 mm/95 mm/110mm/ 125 mm/140 mm	 <b>Total length</b> 75°: approx. 830 - 1055 mm 90°: approx. 760 - 985 mm
 <b>Total weight unloaded</b> approx. 7.8 kg	 <b>Transport weight w/out rear wheels</b> approx. 5.2 kg	 <b>Max. user weight</b> 130 kg	

# Medop cc

Medopark, 1 Manchester Road, Wadeville,  
P.O. Box 51124, Raedene, 2124  
enquiries@medop.co.za | www.medop.co.za  
JHB Tel: 011 827 5893/4/5  
CT Tel: 021 534 8628 | admin@medop.co.za

# INVACARE ACTION 5



PRODUCT CODE: SJC0110

The Invacare Action5 has been designed for the more active user looking for an affordable chair with good drive performance and the ability to fold easily for handling, storage and transportation purposes. With its two patents and lightweight construction, the new Action5 gives the user a chair they can rely on. Key features include:

- Unique folding mechanism
- Stability of a rigid chair
- Quick step-less adjustability
- Highly configurable

## TECHNICAL DATA

Invacare Action 5	305 / 330 / 355 / 380 / 405 / 430 / 455 / 480 / 505 / 530 mm	350 / 375 / 400 / 425 / 450 / 475 / 500 mm	0 - 9 °	Front 360-535 mm in steps of 25 mm Rear: 360-510 mm in steps 25 mm	Fixed 90° Or stepless 90° -15°/+15°	Fixed 300 / 325 / 350 / 400 / 425 / 450 / 475 / 500 mm Adjustable 360-400 and 410-490 mm	Fixed front 80° 70° / 80° & 90° Elevating legrest and 0-80°
Invacare Action 5	Swing away frame: 200-510 mm Fixed frame: 300-530 mm	186-227 mm 186-266 mm 205-280 mm	SW +160 mm To SW+ 250 mm	320 -380 mm	845 -1205 mm	670 -860 mm 701 -1108 mm	
Invacare Action 5	7°	1050 -1380 mm	100 & 130 kg	From 12,3 kg	From 8,3 kg		



# KUSCHALL COMPACT ATTRACT
















PRODUCT CODE: KUSCO

The küschall Compact attract meets the expectations of users who are looking for a reliable, cross- foldable active wheelchair, offering all the adjustability required for secure seating, maneuverability and easy driving.

A comfortable, practical and efficient wheelchair, the küschall Compact attract comes with swing-away removable leg rests and is fully optimized for transfers. Four matte colours make it an appealing wheelchair for everyone.



## Technical data

 Seat width (SB): 360 - 500 mm in increments of 20 mm	 Seat depth (ST): 360 - 500 mm in increments of 20 mm	 Seat height (SHv, SHh): front: 430 - 520 mm rear: 400 - 490 mm in increments of 10 mm
 Knee-to-heel length (UL): 380 - 460 mm in increments of 10 mm	 Backrest height (RH): 330 - 495 mm in increments of 15 mm	 Backrest angle (RW): 82°/86°/90°/ 94°/98°/102°
 Max. safe slope: 7°	 Reversing width: 920 - 1125 mm	 Total length (GL): 70°: ca. 985 mm 90°: ca. 895 mm w/out legrest: 690 mm
 Total width: SB +180 mm	 Total width folded: ca. 300 mm	 Total weight, unloaded: ca. 11.3 kg
 Total weight w/out rear wheels: ca. 8.7 kg	 Max. user weight: 130 kg	 Crash Test approved Fulfills the requirements of ISO 7176-19



# Medop cc

Medopark, 1 Manchester Road, Wadeville,  
P.O. Box 51124, Raedene, 2124  
enquiries@medop.co.za | www.medop.co.za  
JHB Tel: 011 827 5893/4/5  
CT Tel: 021 534 8628 | admin@medop.co.za

# INVACARE A4



Frog Legs® front suspension forks absorb initial impact slowing vibration before it gets to the user.



1. Undermount wheel locks
2. Fold-down back



LSS dual rear shocks absorb energy independently for added stability.

## Adjustability for a Great Fit

It is critical for rigid chairs consumers to have a chair that can be adjusted to match their level of ability and support their active lifestyles. The A-4 Wheelchairs are a great fit for these demanding consumers. These chairs can be adjusted for maximum stability or fine tuned for peak performance – quickly and easily, today and in the future.

Model #	Overall Dimensions	Seat Dimensions	Seat-to-Floor Height	Back Angle	Front Frame Angle	Camber	Tubing Diameter
TA4	Seat Width + 6.75" -14.25"	12"-22" W 14"-22" D	17"-21" Front 14.5"- 20" Rear	85°, 90°, 95°, 100°, 105°	80°	0°, 3°, 6°, 9°, 12°	1"
	Knee-to-Heel Range	Center-of-Gravity	Wheels	Casters	Total Weight*	Weight Capacity	Limited Warranty
	11.25"-20.25" 1" Increments	Adjustable	22", 24", 25", 26"	3", 4", 5", 6"	14.5 lb.	300 lb.	5 Years Frame

\* 15"x16" without rear wheels, folding back, adjustable tension upholstery and 4" casters.

Please see the Owner's Manual or Invacare Configurator for complete option/specification combinations.

All references to HCPCS codes: Providers are responsible for determining the appropriate billing codes when submitting claims to the Medicare program, and should consult an attorney or other advisor to discuss specific situations in further detail.

# KUSCHALL ULTRA LIGHT

PRODUCT CODE: KUSUT












## Options



These are only a few of the many options available for this model. Contact your nearest kuschall specialist for more information.



## Technical Data

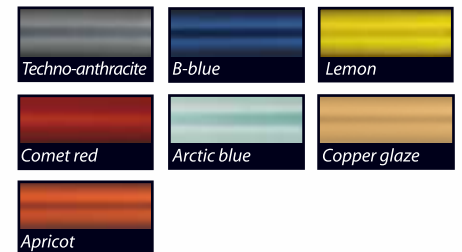
 <b>Seat width:</b> 28 – 50 cm (in increments of 2 cm)	 <b>Backrest angle:</b> 82°/86°/90°/94°/98°/102°
 <b>Seat depth:</b> 32 – 50 cm (in increments of 2 cm)	 <b>Total width (with 3° camber):</b> SW + 17 cm total width folded approx. 29 cm
 <b>Seat height:</b> front: 43 – 53 cm rear: 39 – 50 cm (in increments of 1 cm)	 <b>Total length:</b> 70°: 88 cm 80°: 83 cm
 <b>Backrest height:</b> 30 – 51 cm (in increments of 1.5 cm)	 <b>Max. user weight:</b> 130 kg
 <b>Knee-to-heel length:</b> 20 – 50 cm (in increments of 1 cm)	 <b>Transport weight w/out rear wheels:</b> Approx. 7,5 kg
	 <b>Total weight unloaded:</b> Approx. 9,9 kg

All measurements and weights indicated are based on seat width 40 cm and seat depth 40 cm in the lightest and most compact configuration possible. Weight and measurements can change with the different configurations.

## Colours



## CPS (Colour Power Set)



# Medop cc

Medopark, 1 Manchester Road, Wadeville,  
P.O. Box 51124, Raedene, 2124  
enquiries@medop.co.za | www.medop.co.za  
JHB Tel: 011 827 5893/4/5  
CT Tel: 021 534 8628 | admin@medop.co.za



# KUSCHALL K-SERIES

PRODUCT CODE: KUSK

It was, everything with the **K-Series** was incredibly easy, unique and light. With its broad selection of possible configurations, different materials and the wide range of colours to choose from, the **K-Series** brings a new dimension to everything you need.

And not only is it more versatile. It is a wheelchair that gets you on the move much more easily and efficiently and on an entirely new scale.



Kuschall wheelchairs are compatible with Matrix backs and cushions



A «no limits» range



Lightness and performance



















Backrest adapter plate with lasered swooshes®



Front seat height adjustable



## TECHNICAL DATA K-SERIES

 <b>Frame angle</b> 75°/90° V-frame or tapered	 <b>Knee-to-heel length</b> 290 – 480 mm in increments of 10 mm	 <b>Total width</b> SW + 170 mm	 <b>Total length</b> 75°: approx. 830 mm 90°: approx. 760 mm
 <b>Seat height</b> front: 450 – 520 mm rear: 380 – 490 mm in increments of 10 mm	 <b>Reversing width</b> 920 – 1230 mm	 <b>Max. user weight</b> 130 kg	 <b>Crash Test approved</b> Fulfills the requirements of ISO 7176-19
 <b>Max. safe slope</b> 7°	 <b>Transport weight w/out rear wheels</b> approx. 5.1 kg	 <b>Backrest height</b> 270 – 480 mm in increments of 15 mm	
 <b>Total weight unloaded</b> approx. 7.8 kg	 <b>Seat depth</b> 350 – 525 mm in increments of 20 mm	 <b>Backrest angle</b> 74°/78°/82°/86°/90°	
 <b>Seat width</b> 320 – 500 mm in increments of 20 mm	 <b>Centre of gravity</b> 80 mm/95 mm/110mm/ 125 mm/140 mm		

# Medop<sup>cc</sup>

Medopark, 1 Manchester Road, Wadeville,  
P.O. Box 51124, Raedene, 2124  
enquiries@medop.co.za | www.medop.co.za  
JHB Tel: 011 827 5893/4/5  
CT Tel: 021 534 8628 | admin@medop.co.za



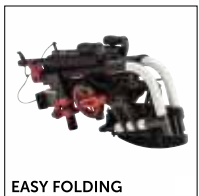
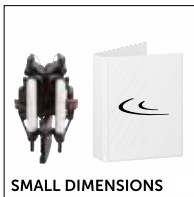
# KUSCHALL CHAMPION SK

Sleek, smart styling meets compactness and practicality. The active rigid wheelchair that folds is now even smaller.

Having the benefit of an everyday wheelchair with such small folded dimensions makes light work of all aspects of travel. It's the perfect companion in your busy day to day commuting and essential for any holiday destination.

Evolved from our highly popular Champion, the SK features a folding front frame, the result is a wheelchair that is lightweight, easy to handle and convenient to transport.

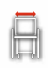
Exceptional driving performance, rigidity and quality are also key features, ensuring as well as being practical you can be sure it delivers the strength and durability needed for an active lifestyle.





## THE MOST FOLDABLE - SMALL BUT SMART


### TECHNICAL DATA


 **Frame angle**  
75°/85°  
Aluminium folding front frame

 **Seat width**  
360 – 460 mm  
in increments of 20 mm

 **Seat depth**  
340 – 480 mm  
in increments of 20 mm

 **Seat height**  
front: 450 – 540 mm  
rear: 390 – 490 mm  
stepless adjustable


 **Knee-to-heel length**  
380 – 500 mm  
stepless adjustable

 **Backrest height**  
300 – 465 mm  
in increments of 15 mm


 **Backrest angle**  
76°/80.5°/85°/89.5°/94°


 **Max. safe slope**  
7°

 **Reversing width**  
920 – 1230 mm


 **Total width**  
SW + 160 mm

 **Total folded dimensions**  
Rear 280mm  
Front 330mm  
Length 670mm  
Width 220mm

 **Total length**  
75°: approx. 930 mm  
85°: approx. 850 mm

 **Total weight unloaded**  
approx. 9.2 kg

 **Transport weight w/out rear wheels**  
approx. 6.7 kg

 **Max. user weight**  
120 kg

# Medop cc

Medopark, 1 Manchester Road, Wadeville,  
P.O. Box 51124, Raedene, 2124  
enquiries@medop.co.za | www.medop.co.za  
JHB Tel: 011 827 5893/4/5  
CT Tel: 021 534 8628 | admin@medop.co.za








# ALBER E-FIX



## Small, light, swift

The **e-fix** was designed to combine the benefits of a power and manual wheelchair for indoor and outdoor use. Any person using a manual wheelchair will draw benefits of this unique "two in one" mobility concept. The **e-fix** components can be dismantled within seconds. The small and handy components are easy to transport everywhere. The wheel integrated motors and overall discreet design make the **e-fix** an active lifestyle mobility device.

### Technical data

							
<b>e-fix E25</b>	16 km standard 30 km optional	12 Ah standard 17 Ah optional	2 x 110 W	9 kg 13 kg	20%	26,1 kg (one wheel: 7,8 kg)	120 kg
<b>e-fix E26</b>	26 km standard 14 km optional	22 Ah standard 17 Ah optional	2 x 150 W	13 kg 9 kg	15%	32,1 kg (one wheel: 8,8 kg)	160 kg

# ALBER E-MOTION



## Power assist for wheelchairs

A manual wheelchair makes it possible to move around and promotes activity. For most wheelchair users it is often impossible to access all areas of everyday life - even with adequate physical strength. Slopes, kerbstones, thresholds regularly present insurmountable obstacles. The new **Alber e-motion** power assist allows wheelchair drivers to keep and even raise their level of active mobility, and provides a variety of therapeutic benefits.

### Technical data

<b>e-motion</b>	max. 6 km/h	25 km (according to ISO 7176)	2 x 60 W	1 kg	22 kg (one wheel: 11 kg)	130 kg

# Medop<sup>cc</sup>

Medopark, 1 Manchester Road, Wadeville,  
 P.O. Box 51124, Raedene, 2124  
 enquiries@medop.co.za | www.medop.co.za  
 JHB Tel: 011 827 5893/4/5  
 CT Tel: 021 534 8628 | admin@medop.co.za